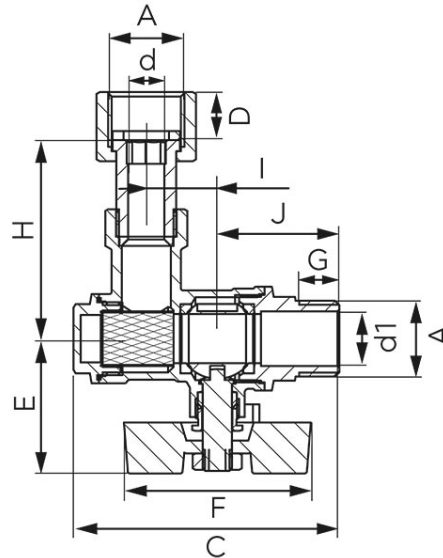
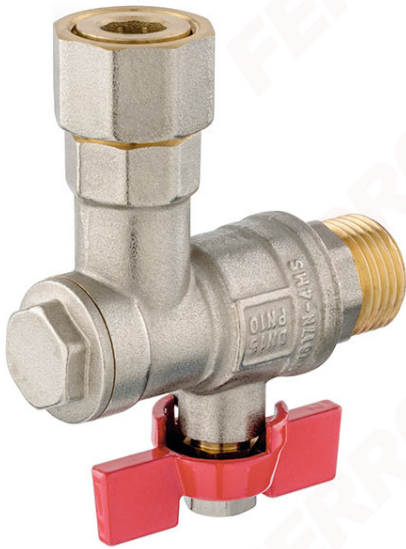


Code: **KFMFxSGK**

Angle ball valve with butterfly placed under the body and half-union, female-male

<https://www.ferrocompany.com/product-6519-KFMFxSGK.html>

Individual packaging: **1, package with bar code allowing for retail sale**



- NICKEL FREE - inner surfaces are not nickel-plated
- CW617N-4MS brass - reduced lead and nickel content
- application: water, glycol 50%
- female-male with half-union
- with gland
- handle: metal butterfly type placed under the body
- body and ball material: brass
- material of ball and stem seals: PTFE
- material of flat seals: EPDM
- material of filter: stainless steel
- nominal pressure: 10 bar
- maximum working temperature: 100°C

Code	DN	Connection dimension	A	d	C	D	E	F	H	J	Kvs [m ³ /h]	Valve handle color
KFMF1SGK	DN15	1/2"	G1/2	13.5	73	10	40.3	51.3	54.5	33.5	0.94	red
KFMF2SGK	DN20	3/4"	G3/4	18.5	83.8	10	40.3	51.3	54.5	35.5	1.62	red