

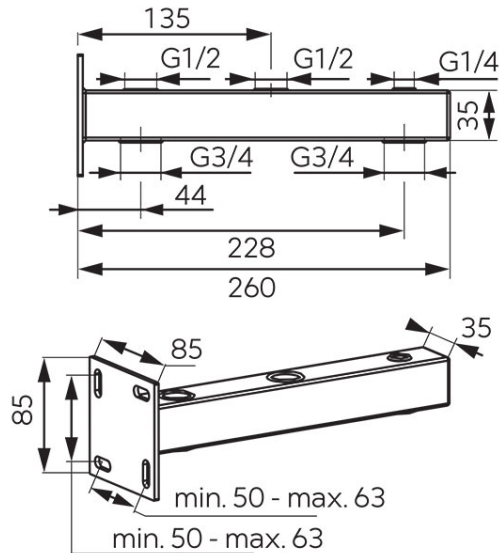
Code: **GB**

Safety group sets

<https://www.ferrocompany.com/product-6485-GB.html>

Individual packaging: **1, package with bar code allowing for retail sale**

Collective packaging: -



- The safety group set is a system protecting the installation against dangerous pressure increase caused by water temperature increase and its thermal expansion.
- working temperature: 95°C
- working pressure: up to 6 bar
- max. instantaneous water temperature: 110°C
- for expansion vessels with a capacity up to 35 l and a diameter not more than 320 mm
- 2 mm thick steel beam
- Self-assembly kit. The set includes:
 - safety valve
 - pressure gauge
 - automatic air vent with foot valve

Code	Safety valve	Pressure gauge	Individ. pack.	Collect. pack.
GB15	1,5 bar	0-4 bar	1	-
GB25	2,5 bar	0-4 bar	1	-
GB30	3 bar	0-6 bar	1	-
GB60	6 bar	0-10 bar	1	-