

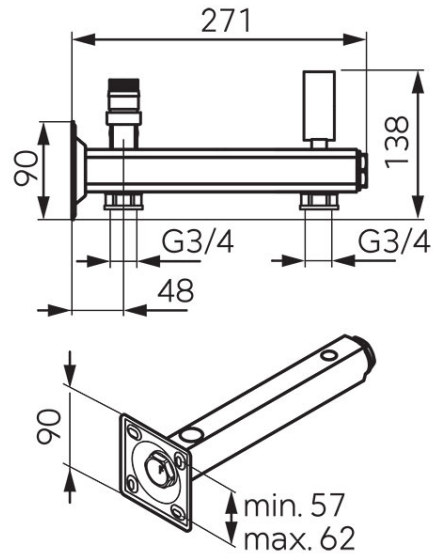
Code: **GBMW60**

Safety groups for DHW

<https://www.ferrocompany.com/product-6483-GBMW60.html>

Individual packaging: **1, package with bar code allowing for retail sale**

Collective packaginig: -



- max. working temperature: 95°C
- max. working pressure: 6 bar
- max. instantaneous water temperature: 110°C
- for expansion vessels with a capacity up to 35 l and a diameter not more than 320 mm
- CW617N brass beam
- stainless steel mounting plate
- accessories:
  - safety valve
  - pressure gauge

Code	Safety valve	Pressure gauges	Individ. pack.	Collect. pack.
GBMW60	6 bar	0-10 bar	1	-