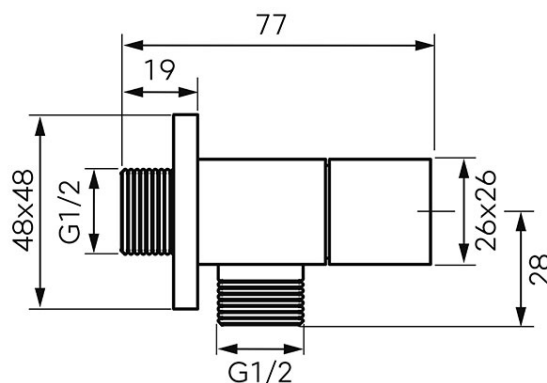


Code: Z294-BL

Quadro - Angle valve

<https://www.ferrocompany.com/product-6431-Z294BL.html>Individual packaging: **1, package with bar code allowing for retail sale**

- ceramic head
- valve finish: black matt
- no contact of flowing water with paint finish
- nominal pressure: 1,0 MPa (10 bar)
- max. working temperature: 100°C
- connection dimension: 1/2x1/2