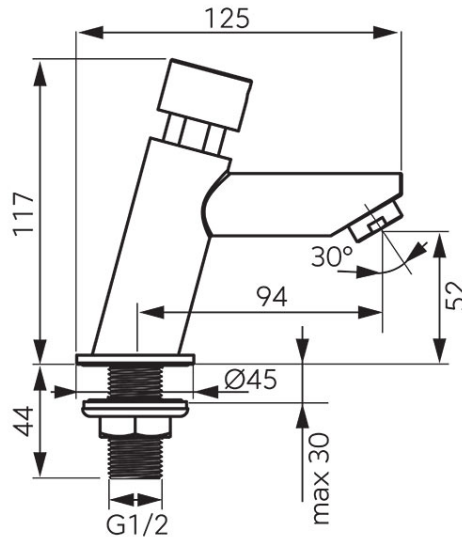


Code: Z501

Presstige Pro - automatic shut-off washbasin mixer with water flow control

<https://www.ferrocompany.com/product-6368-Z501.html>

Individual packaging: **1, package with bar code allowing for retail sale**



- flow time factory setting: 15 s.
- outflow time: adjustable from 10 - 20 s
- min. water flow at dynamic pressure of 0.3 MPa (3 bar): 11 l/min.
- max. water temperature: 90°C
- recommended water temperature: 65°C
- recommended dynamic pressure range: $0,1 \text{ MPa} \leq P \leq 0,5 \text{ MPa}$
- max. static pressure: 1 MPa (10 bar)
- flow time at dynamic pressure 0.3 MPa (3 bar): Regulated $15 \pm 5 \text{ s}$
- starting force (button push): up to 65 N
- water inlet connection 1 x G1/2 MT
- recommended mixers:
 - MM10 - 3/8" mechanical mixer
 - MT15B - 1/2" thermostatic mixer