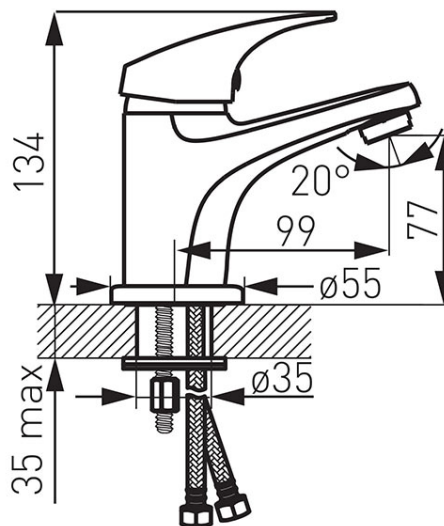


**Code: BFO2-LB**

Ferro One - standing washbasin mixer

<https://www.ferrocompany.com/product-6246-BFO2LB.html>Individual packaging: **1, package with bar code allowing for retail sale**

- ceramic cartridge
- single hole assembly
- G5/4 automatic drain plug
- aerator M24x1
- G3/8 - M10x1 flexible connections
- finish: chrome
- product on request
- delivery time: c.a. 21 days

Maximal flow rate for dynamic pressure:

- **Stream: laminar - aerated**
  - 1,50 bar (21 psi) → 2,6 l/min (0,69 gpm US)
  - 3,00 bar (43 psi) → 2,7 l/min (0,72 gpm US)
  - 4,14 bar (60 psi) → 3,1 l/min (0,82 gpm US)