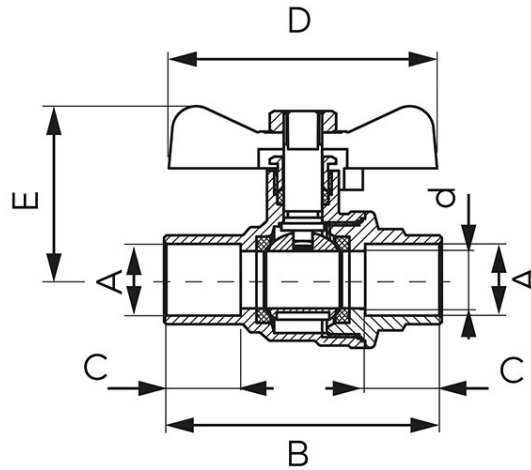


Code: **KFPL**

F-Power - ball valve for soldering

<https://www.ferrocompany.com/product-6236-KFPL.html>



- warranty: 10 years
- application: water, glycol 50%, compressed air
- with gland
- full bore
- handle: butterfly
- body and ball material: brass
- material of ball and stem seals: PTFE
- nominal pressure: 16 bar (PN16)
- maximum working temperature: 120°C
- NICKEL FREE - inner surfaces are not nickel-plated
- CW617N-4MS brass - reduced lead and nickel content

Code	DN	A	d [mm]	B [mm]	C [mm]	D [mm]	E [mm]	Kvs [m3/h]	Individ. pack.	Collect. pack.
KFPL11	10	12	10	52	14	56	33	3,87	20	200
KFPL21	15	15	12	58	16	56	36	5,24	15	150
KFPL31	15	18	15	60	16	56	38	6,83	16	96
KFPL41	20	22	20	71	18	56	42	12,64	12	60