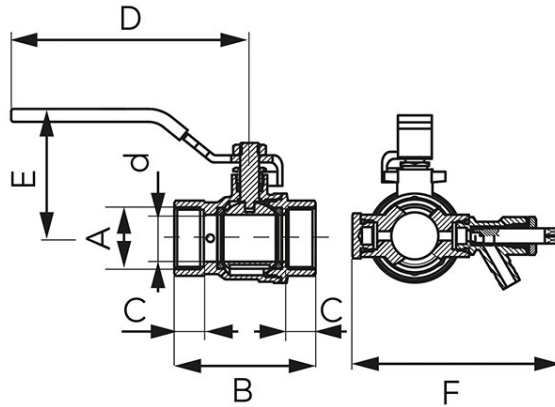


Code: **KFPW**

F-Power - ball valve with drain, manual air-vent and plug

<https://www.ferrocompany.com/product-6232-KFPW.html>



- warranty: 10 years
- media valves: water, glycol 50%, compressed air
- female-female
- full bore
- with gland
- handle: metal lever
- body and ball material: brass
- material of ball and stem seals: PTFE
- nominal pressure: 16 bar (PN16)
- maximum working temperature: 120°C
- minimum working temperature: -30°C
- NICKEL FREE - all product elements which may have contact with potable water are not covered with nickel
- CW617N-4MS brass - the latest hygienic standard

Index	DN	A	d [mm]	C [mm]	D [mm]	B [mm]	E [mm]	F [mm]	Kvs [m3/h]	Individ. pack.	Bulk pack.
KFPW1	15	G1/2	15	12	54	48,5	96	82,7	7,51	8	64
KFPW2	20	G3/4	20	12,5	60	55	101,5	88,7	12,41	6	48
KFPW3	25	G1	25	14,5	70,5	65,5	116,5	94,7	21,40	4	24
KFPW4	32	G1 1/4	32	15,5	83	70,5	116,5	104,7	41,21	2	16
KFPW5	40	G1 1/2	40	16	93,5	74	126,5	112,7	67,17	2	12
KFPW6	50	G2	50	17,5	107,5	90,5	151,5	123,7	-	2	8