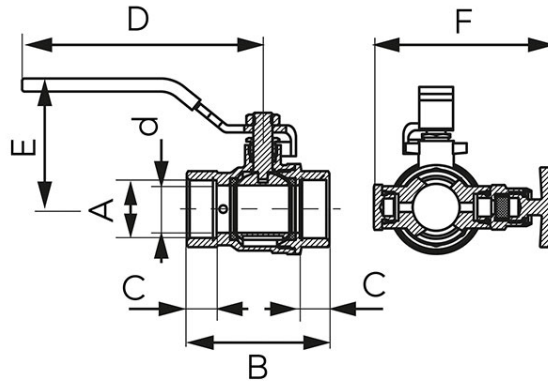


Code: **KFPOM**

F-Power - ball valve with manual air-vent and plug

<https://www.ferrocompany.com/product-6231-KFPOM.html>



- warranty: 10 years
- media valves: water, glycol 50%, compressed air
- female-female
- full bore
- with gland
- handle: metal lever
- body and ball material: brass
- material of ball and stem seals: PTFE
- nominal pressure: 16 bar (PN16)
- maximum working temperature: 120°C
- NICKEL FREE - all product elements which may have contact with potable water are not covered with nickel
- CW617N-4MS brass - the latest hygienic standard

Index	DN	A	d [mm]	C [mm]	D [mm]	B [mm]	E [mm]	F [mm]	Kvs [m3/h]	Individ. pack.	Bulk pack.
KFPOM1	15	G1/2	15	12	54	48,5	96	71,3	7,51	10	50
KFPOM2	20	G3/4	20	12,5	60	55	101,5	77,3	15,48	6	48
KFPOM3	25	G1	25	14,5	70,5	65,5	116,5	83,3	22,65	5	20