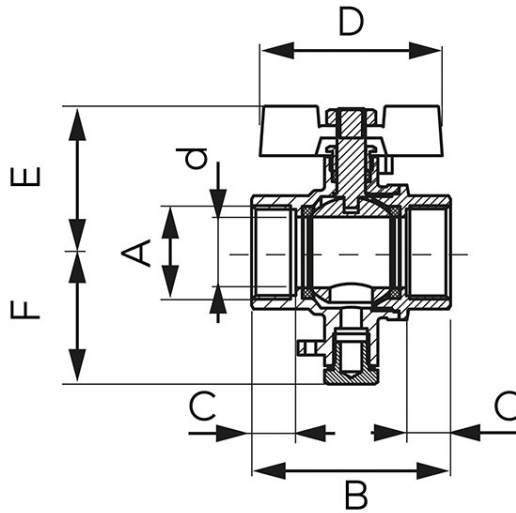
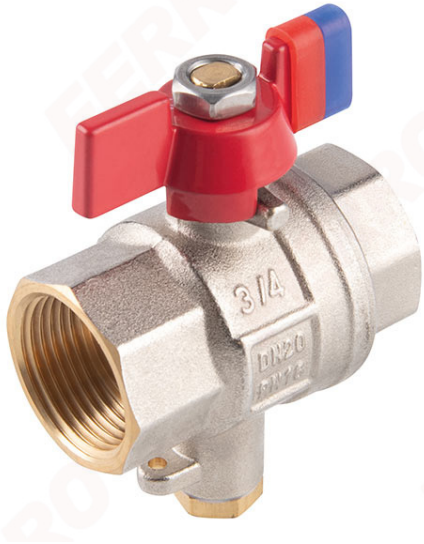


Code: **KFPMT**

F-Power - ball valve with M10x1 connection for temperature sensor

<https://www.ferrocompany.com/product-6228-KFPMT.html>



- warranty: 10 years
- media valves: water, glycol 50%, compressed air
- female-female
- full bore
- with gland
- handle: butterfly
- body and ball material: brass
- material of ball and stem seals: PTFE
- nominal pressure 16 bar (PN16)
- maximum working temperature: 120°C
- NICKEL FREE - all product elements which may have contact with potable water are not covered with nickel
- CW617N-4MS brass - the latest hygienic standard

Index	DN	A	d [mm]	C [mm]	D [mm]	B [mm]	E [mm]	F [mm]	Kvs [m3/h]	Individ. pack.	Bulk pack.
KFPMT1	15	G1/2	15	12	50,5	38	51,3	37,2	7,17	12	120
KFPMT2	20	G3/4	20	12,5	56,1	41,1	51,3	37,2	15,37	12	60