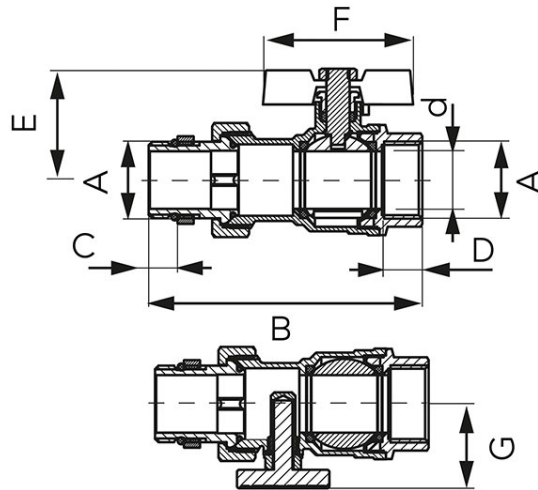


Code: **KFPS3T**

F-Power - ball valve

<https://www.ferrocompany.com/product-6226-KFPS3T.html>



- warranty: 10 years
- application: water, glycol 50%, compressed air
- female-male with union
- additional nut with a seal on the mounting thread
- with gland
- handle: butterfly
- body and ball material: brass
- material of ball and stem seals: PTFE
- nominal pressure: 30 bar (PN30)
- maximum working temperature: 120°C
- NICKEL FREE - inner surfaces are not nickel-plated
- CW617N-4MS brass - reduced lead and nickel content

Code	DN	A	d [mm]	B [mm]	C [mm]	D [mm]	E [mm]	F [mm]	G [mm]	Kvs [m3/h]	Individ. pack.	Collect. pack.
KFPS3T	25	G1	25	118,5	12,5	17,5	47,6	65	36,6	19,01	4	24