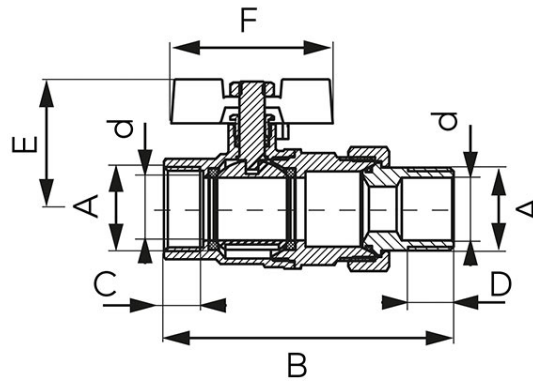
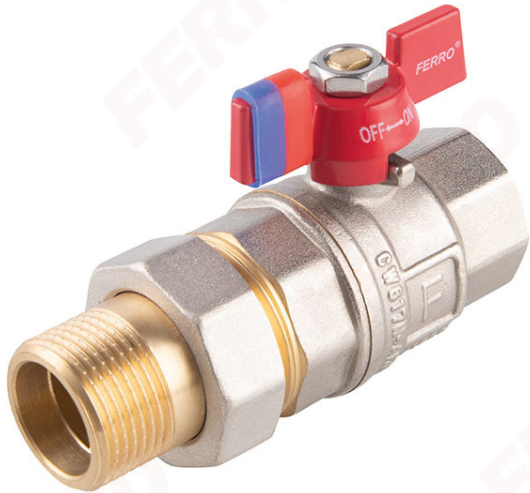


Code: **KFPS**

F-Power - ball valve

<https://www.ferrocompany.com/product-6224-KFPS.html>



- warranty: 10 years
- application: water, glycol 50%, compressed air
- female-male with union
- full bore
- with gland
- handle: butterfly
- body and ball material: brass
- material of ball and stem seals: PTFE
- nominal pressure: 30 bar (PN30)
- maximum working temperature: 120°C
- minimum working temperature: -30°C
- NICKEL FREE - inner surfaces are not nickel-plated
- CW617N-4MS brass - reduced lead and nickel content

Code	DN	A	d [mm]	B [mm]	C [mm]	D [mm]	E [mm]	F [mm]	Kvs [m3/h]	Individ. pack.	Collect. pack.
KFPS1	15	G1/2	15	79,5	12	12,5	37,9	51,3	7,29	10	100
KFPS2	20	G3/4	20	92,1	12,5	14,5	41,3	51,3	13,55	12	48
KFPS3	25	G1	25	108	14,5	16,5	47,4	65	22,43	6	30
KFPS4	32	G1 1/4	32	124,6	15,5	18,5	63,7	88	40,98	4	16