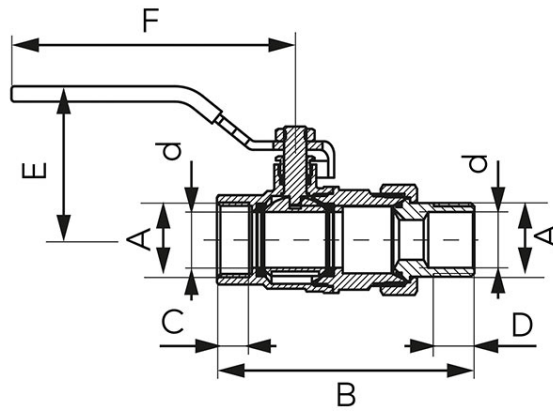
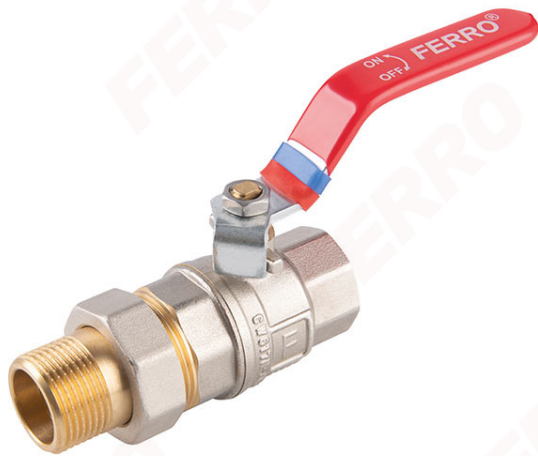


Code: **KFPS**

F-Power - ball valve

<https://www.ferrocompany.com/product-6223-KFPS.html>



- warranty: 10 years
- media valves: water, glycol 50%, compressed air
- female-male with union
- full bore
- with gland
- handle: metal lever
- body and ball material: brass
- material of ball and stem seals: PTFE
- nominal pressure: 30 bar (PN30)
- maximum working temperature: 120°C
- minimum working temperature: -30°C
- NICKEL FREE - all product elements which may have contact with potable water are not covered with nickel
- CW617N-4MS brass - the latest hygienic standard

Index	DN	A	d [mm]	C [mm]	D [mm]	B [mm]	E [mm]	F [mm]	Kvs [m3/h]	Individ. pack.	Bulk pack.
KFPS11	15	G1/2	15	12,5	10,5	80,8	48,5	96	7,29	8	80
KFPS21	20	G3/4	20	14,5	11	93	53,8	101,5	14,80	6	48
KFPS31	25	G1	25	16,5	13	108	64,6	116,5	22,43	4	20
KFPS41	32	G1 1/4	32	18,5	14	124,6	70,5	116,5	41,10	2	12