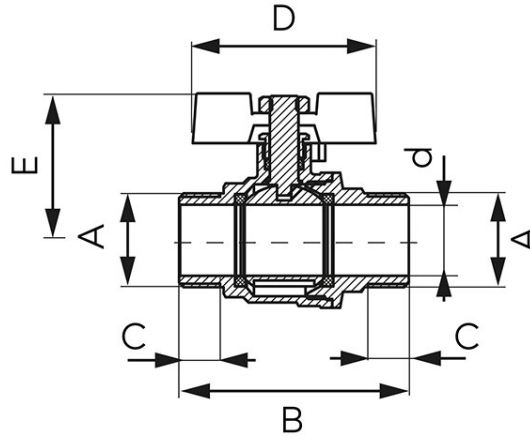


**Code: KFPN**

F-Power - ball valve

<https://www.ferrocompany.com/product-6222-KFPN.html>

- warranty: 10 years
- application: water, glycol 50%, compressed air
- male-male
- full bore
- with gland
- handle: butterfly
- body and ball material: brass
- material of ball and stem seals: PTFE
- nominal pressure: 30 bar (PN30)
- maximum working temperature: 120°C
- minimum working temperature: -30°C
- NICKEL FREE - inner surfaces are not nickel-plated
- CW617N-4MS brass - reduced lead and nickel content

Code	DN	A	d [mm]	B [mm]	C [mm]	D [mm]	E [mm]	Kvs [m3/h]	Individ. pack.	Collect. pack.
KFPN1	15	G1/2	15	59,5	11	51,3	37,9	6,94	15	90
KFPN2	20	G3/4	20	64,5	11,5	51,3	41,3	15,71	12	96
KFPN3	25	G1	25	77	13,5	65	47,4	22,31	10	50