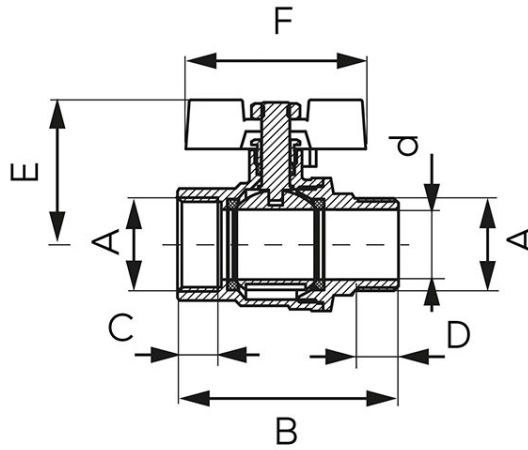


Code: **KFPM**

F-Power - ball valve

<https://www.ferrocompany.com/product-6221-KFPM.html>



- warranty: 10 years
- media valves: water, glycol 50%, compressed air
- female-male
- full bore
- with gland
- handle: butterfly
- body and ball material: brass
- material of ball and stem seals: PTFE
- nominal pressure: 30 bar (PN30)
- maximum working temperature: 120°C
- minimum working temperature: -30°C
- NICKEL FREE - all product elements which may have contact with potable water are not covered with nickel
- CW617N-4MS brass - the latest hygienic standard

Index	DN	A	d [mm]	C [mm]	D [mm]	B [mm]	E [mm]	F [mm]	Kvs [m3/h]	Individ. pack.	Bulk pack.
KFPM101	10	G3/8	10	9	10,5	53,5	34	51,3	4,33	12	120
KFPM11	15	G1/2	15	10,5	11	58,5	37,9	51,3	7,29	15	90
KFPM21	20	G3/4	20	11	11,5	63	41,3	51,3	14,80	12	96
KFPM31	25	G1	25	13	13,5	75,5	47,4	65	23,11	10	50
KFPM41	32	G1 1/4	32	14	18,5	93	63,7	88	42,58	6	24