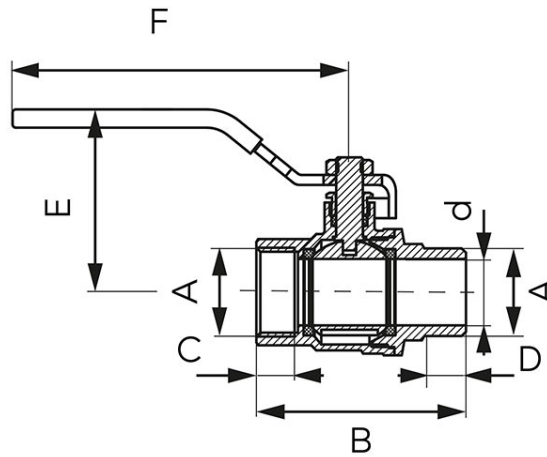
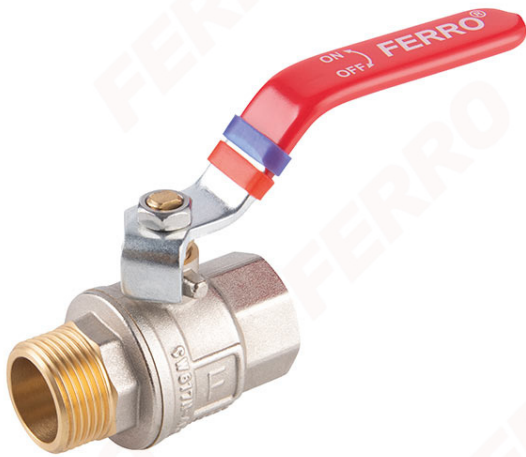


Code: **KFP**

F-Power - ball valve

<https://www.ferrocompany.com/product-6220-KFP.html>



- warranty: 10 years
- media valves: water, glycol 50%, compressed air
- female-male
- full bore
- with gland
- handle: metal lever
- body and ball material: brass
- material of ball and stem seals: PTFE
- nominal pressure: 30 bar (PN30)
- maximum working temperature: 120°C
- minimum working temperature: -30°C
- NICKEL FREE - all product elements which may have contact with potable water are not covered with nickel
- CW617N-4MS brass - the latest hygienic standard

Index	DN	A	d [mm]	C [mm]	D [mm]	B [mm]	E [mm]	F [mm]	Kvs [m3/h]	Individ. pack.	Bulk pack.
KFP101	10	G3/8	10	9	10,5	53,5	45	94	4,21	10	120
KFP11	15	G1/2	15	10,5	11	58,5	48,5	96	7,06	10	100
KFP21	20	G3/4	20	11	11,5	63	54	101,5	14,80	10	80
KFP31	25	G1	25	13	13,5	75,5	65,5	116,5	23,11	10	40
KFP41	32	G1 1/4	32	14	18,5	93	70,5	116,5	42,01	6	24
KFP51	40	G1 1/2	40	14,5	18	101	74	126,5	66,14	4	16
KFP61	50	G2	50	16	20,5	120,5	90,5	151,5	-	2	12