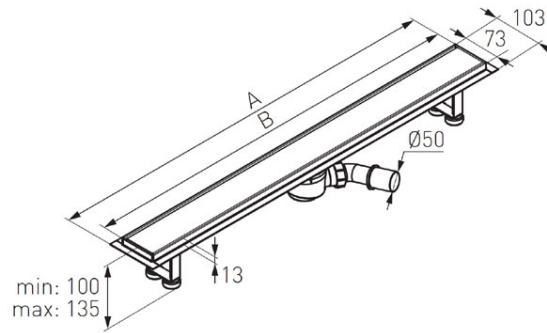


**Code: OLP1-xx-BL**

Linear drain installed under floor tiles, black mat

<https://www.ferrocompany.com/product-6190-OLP1xxBL.html>

Individual packaging: **1, package with bar code allowing for retail sale**



- throughput up to 54 l/min
- adjustable legs
- waterproofing collar
- screwed on siphon with revision plug included
- manually polished
- dilatations
- colour: black mat

Index	A [mm]	B [mm]
OLP1-70-BL	730	700
OLP1-80-BL	830	800