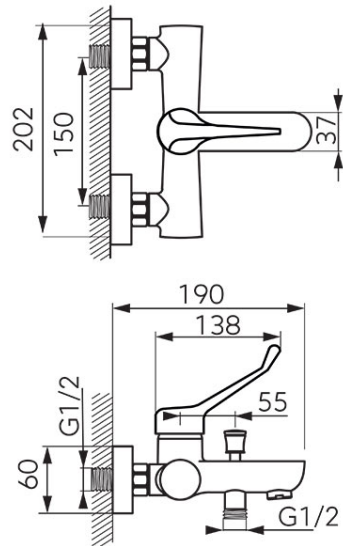


Code: BAGM1

Algeo Medico - wall-mounted bath mixer

<https://www.ferrocompany.com/product-6146-BAGM1.html>Individual packaging: **1, package with bar code allowing for retail sale**

- specialist handle
- ceramic regulator
- automatic bath/shower switch with a lock
- M24x1 flow regulator
- G1/2 eccentric connection spacing 150 ± 20 mm
- shower set not included
- chrome