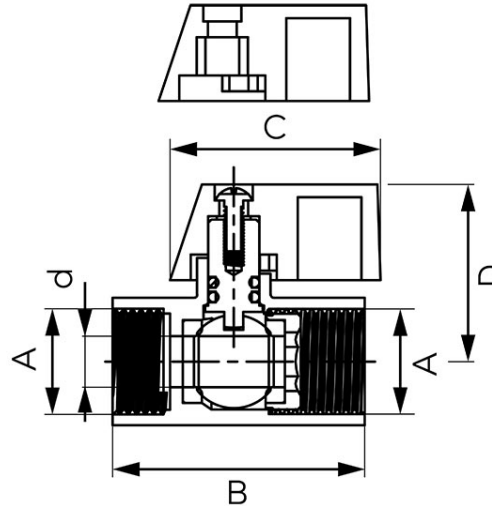
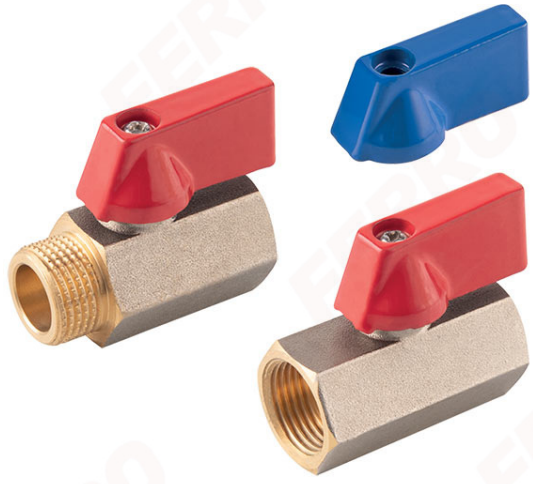




Code: **KRN**

F-Comfort - Mini ball valve

<https://www.ferrocompany.com/product-6142-KRN.html>



- warranty: 5 years
- medium: water
- body and ball material: brass
- brass CW617N-4MS - reduced lead and nickel content
- material of ball and stem seals: PTFE
- double stem sealing
- handle: red or blue (available in set)
- nominal operating pressure: 10 bar (PN20)
- nominal operating temperature: 100°C
- NICKEL FREE - the surface of the valve that may be in contact with water is not nickel plated

Code	DN	A	d [mm]	B [mm]	C [mm]	D [mm]	Kvs [m³/h]	Valve		
KRN1	10	G1/2	10	47,2	33	29,8	4,68	male-female	20	240
KRN2	10	G1/2	10	47,2	33	29,8	4,68	female-female	20	160
KRN10	8	G3/8	8	41	33	28,3	2,85	female-female	10	120
KRN101	8	G3/8	8	41	33	28,3	2,85	male-female	10	120