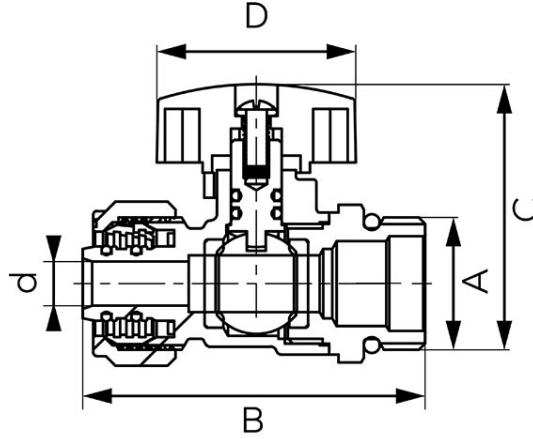


**Code: KNPEX****F-Comfort - ball valve for 16x2 multilayer pipes**

<https://www.ferrocompany.com/product-6141-KNPEX.html>



- warranty: 5 years
- media valves: water
- male
- compression connection for 16x2 mm multilayer pipes with double EPDM O-ring sealing
- 1/2" connection with EPDM O-ring
- double stem sealing (2 pcs O-ring)
- handle: metal butterfly
- body and ball material: brass
- material of ball seals: PTFE
- material of stem seals: EPDM
- red or blue handle
- nominal pressure: 10 bar (PN10)
- maximum working temperature: 100°C
- CW617N-4MS brass - the latest hygienic standard
- NICKEL FREE - all product elements which may have contact with potable water are not covered with nickel

Index	DN	A	d [mm]	B [mm]	C [mm]	D [mm]	Kvs [m³/h]	Individ. pack.	Bulk pack.
<b>KNPEX16</b>	15	G1/2	7	54,2	31,6	31,5	2,50	10	120
<b>KNPEX16-BH</b>	15	G1/2	7	54,2	31,6	31,5	2,50	10	120