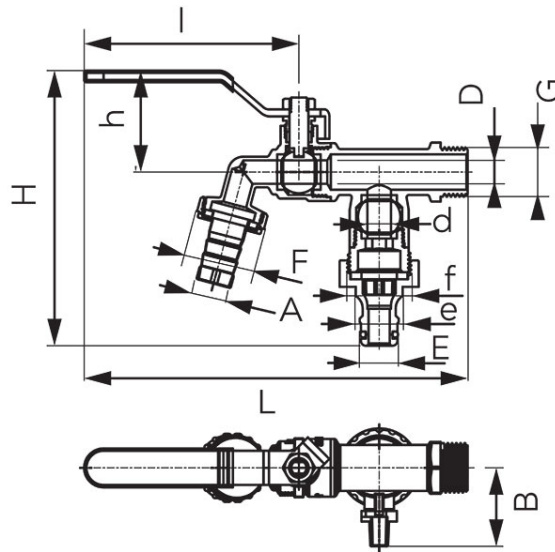




Code: **KCD**

F-Comfort - Bibcock with two outlets

<https://www.ferrocompany.com/product-6140-KCD.html>



- warranty: 5 years
- medium: water
- with gland and packing nut
- with metal hose nipple and hose attachment for quick coupler hose connection
- handle: metal lever and butterfly
- body and ball material: brass
- brass CW617N-4MS - reduced lead and nickel content
- material of ball and stem seals: PTFE
- nominal operating pressure: 10 bar (PN20)
- nominal operating temperature: 65°C
- NICKEL FREE - the surface of the valve that may be in contact with water is not nickel plated

Code	DN	G	D [mm]	d [mm]	L [mm]	l [mm]	H [mm]	h [mm]	B [mm]	A [mm]	E [mm]	e [mm]	F	f		
KCD1	15	G1/2	10	10	163	90	117	43	33	15	15,5	19,8	G3/4	G3/4	8	32
KCD2	20	G3/4	10	10	164	90	118	43	33	19,5	15,5	19,8	G1	G1	6	24