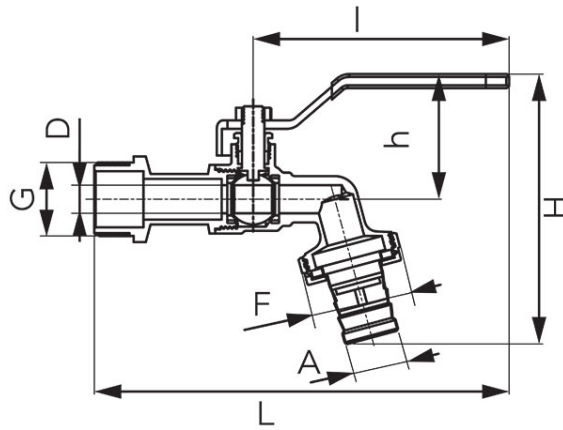
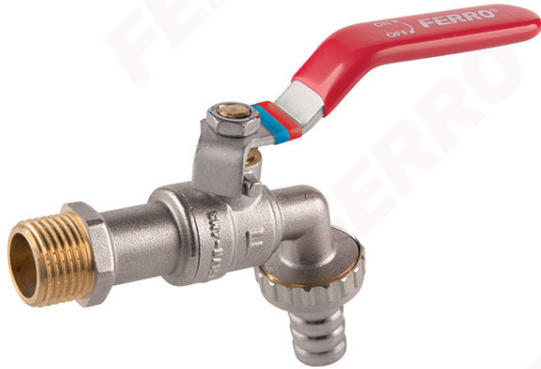


Code: **KCN**

F-Comfort - intake water ball valve

<https://www.ferrocompany.com/product-6138-KCN.html>



- warranty: 5 years
- media valves: water
- male
- with gland
- with metal hose connector
- handle: metal lever
- body and ball material: brass
- material of ball and stem seals: PTFE
- nominal pressure: 10 bar (PN10)
- maximum working temperature: 100°C
- CW617N-4MS brass - the latest hygienic standard
- NICKEL FREE - all product elements which may have contact with potable water are not covered with nickel

Index	DN	G	D [mm]	L [mm]	I [mm]	H [mm]	h [mm]	A [mm]	F	Kvs [m³/h]	Individ. pack.	Bulk pack.
KCN1	15	G1/2	10	144	90	92	43	15	G3/4	2,50	15	60
KCN2	20	G3/4	10	148	90	95	43	19,5	G1	2,72	10	60
KCN3	25	G1	16	182	112	119	55	27	G1 1/4	8,19	5	30