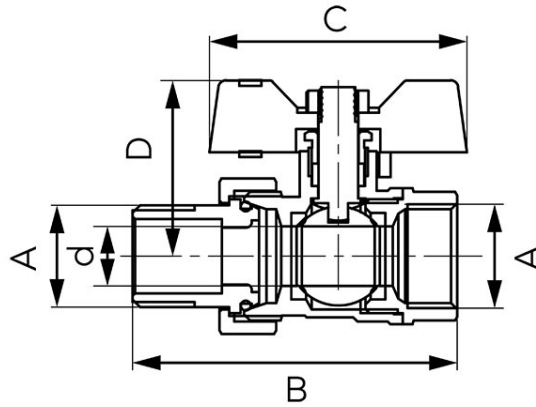


Code: **KFCS**

F-Comfort - ball valve

<https://www.ferrocompany.com/product-6137-KFCS.html>

- warranty: 5 years
- media valves: water
- female-male with union
- with gland
- handle: metal butterfly
- body and ball material: brass
- material of ball and stem seals: PTFE
- nominal pressure: 20 bar (PN20)
- maximum working temperature: 100°C
- CW617N-4MS brass - the latest hygienic standard
- NICKEL FREE - all product elements which may have contact with potable water are not covered with nickel

Index	DN	A	d [mm]	B [mm]	C [mm]	D [mm]	Kvs [m³/h]	Individ. pack.	Bulk pack.
KFCS1	15	G1/2	12	65,5	52	35,5	6,39	15	75
KFCS2	20	G3/4	16	76	52	38,8	11,83	14	56
KFCS3	25	G1	21	87	67,5	50	21,50	12	36