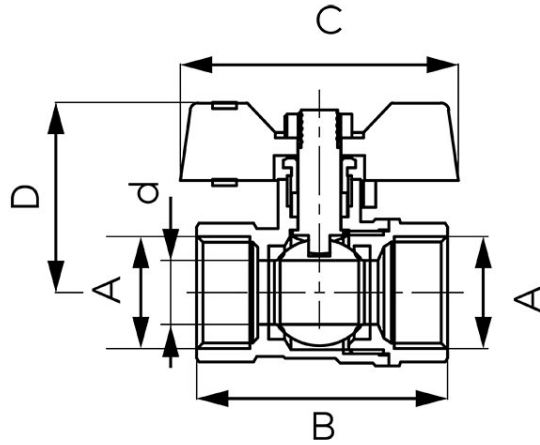


Code: **KFCM**

F-Comfort - ball valve

<https://www.ferrocompany.com/product-6135-KFCM.html>

- warranty: 5 years
- media valves: water
- female-female
- with gland
- handle: metal butterfly
- body and ball material: brass
- material of ball and stem seals: PTFE
- nominal pressure: 20 bar (PN20)
- maximum working temperature: 100°C
- CW617N-4MS brass - the latest hygienic standard
- NICKEL FREE - all product elements which may have contact with potable water are not covered with nickel

Index	DN	A	d [mm]	B [mm]	C [mm]	D [mm]	Kvs [m ³ /h]	Individ. pack.	Bulk pack.
KFCM1	15	G1/2	12	47	52	35,5	5,34	24	120
KFCM2	20	G3/4	16	55,5	52	38,8	13,31	18	90
KFCM3	25	G1	21	63	67,5	49,5	21,28	10	60