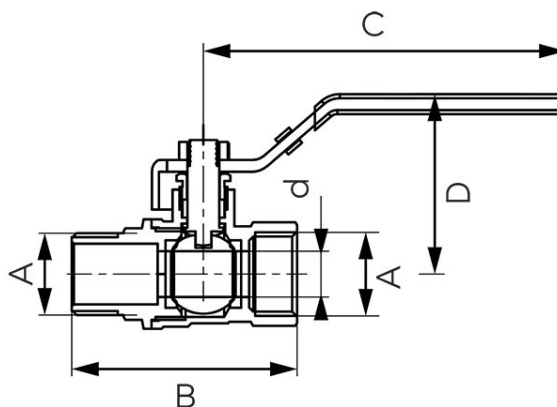
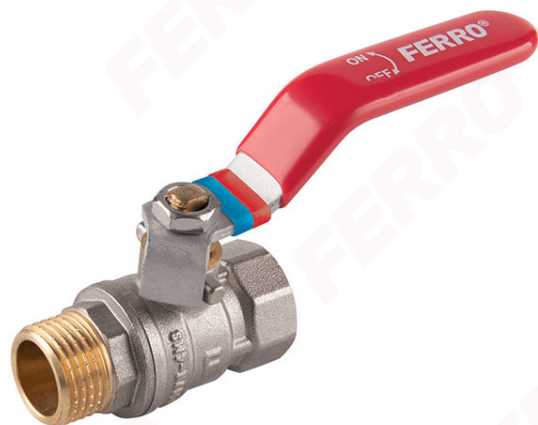


Code: **KFC**

F-Comfort - ball valve

<https://www.ferrocompany.com/product-6134-KFC.html>



- warranty: 5 years
- media valves: water
- female-male
- with gland
- handle: metal lever
- body and ball material: brass
- material of ball and stem seals: PTFE
- nominal pressure: 20 bar (PN20)
- maximum working temperature: 100°C
- CW617N-4MS brass - the latest hygienic standard
- NICKEL FREE - all product elements which may have contact with potable water are not covered with nickel

Index	DN	A	d [mm]	B [mm]	C [mm]	D [mm]	Kvs [m³/h]	Individ. pack.	Bulk pack.
KFC11	15	G1/2	12	54,5	91	45,2	6,83	15	90
KFC21	20	G3/4	16	62,5	91	48,5	10,94	10	60
KFC31	25	G1	21	71,5	113	59	24,48	10	40
KFC41	32	G1 1/4	27	78,5	131	67	36,30	6	36
KFC51	40	G1 1/2	33	93	154	82,5	54,77	4	16
KFC61	50	G2	43	103,2	154	86	93,22	2	12