

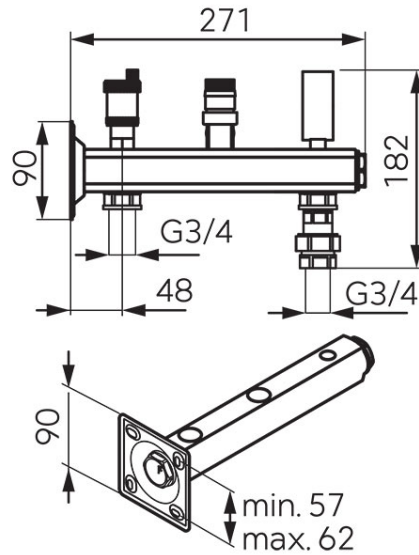
Code: **GBMxSN01**

Safety groups for central heating with a quick-connector for expansion vessels

<https://www.ferrocompany.com/product-5785-GBMxSN01.html>

Individual packaging: **1, package with bar code allowing for retail sale**

Collective packaging: -



- max. working temperature: 95°C
- max. working pressure: 6 bar
- max. instantaneous water temperature: 110°C
- for expansion vessels with a capacity up to 35 l and a diameter not more than 320 mm
- CW617N brass beam
- stainless steel mounting plate
- accessories:
  - safety valve
  - pressure gauge
  - automatic air vent with foot valve
  - with a quick-connector for expansion vessels

Index	Safety valve	Pressure gauges	Individ. pack.	Bulk pack.
<b>GBM15SN01</b>	1,5 bar	0-4 bar	1	-
<b>GBM25SN01</b>	2,5 bar	0-4 bar	1	-
<b>GBM30SN01</b>	3 bar	0-6 bar	1	-