

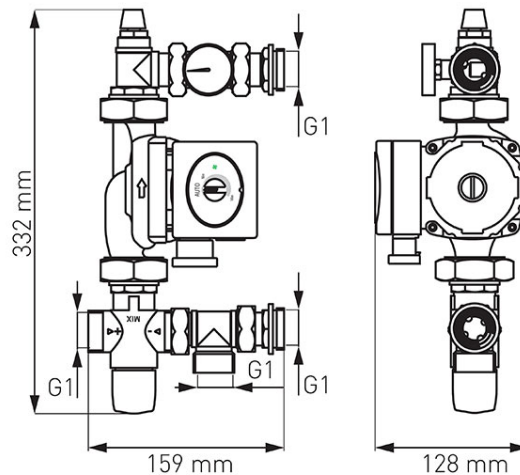
**Code: GM1F-40GPA**

Mixing group GM1F - with electronic pump 25-4-130 GPAll

<https://www.ferrocompany.com/product-5715-GM1F40GPA.html>

Individual packaging: **1, package with bar code allowing for retail sale**

Collective packaginig: -



- The mixing group serves to lower and maintain the desired temperature of the heating medium in the surface heating system.
- Technical parameters:
  - Static pressure (PN): max. 0,4 MPa (4 bar)
  - Dynamic working pressure: max. 0,3 MPa (3 bar)
  - Flow factor Kv: 1,9 m<sup>3</sup>/h
  - Temperature regulation range: 20-40°C
  - Accuracy of regulation: +/- 3°C
- The group contains:
  - 3-way thermostatic mixing valve
  - Air vent
  - Thermometer
  - Set of unions
- Advantages:
  - Universal group for all types of manifolds with 210 mm bar spacing
  - Precise and simple control
  - Reversible