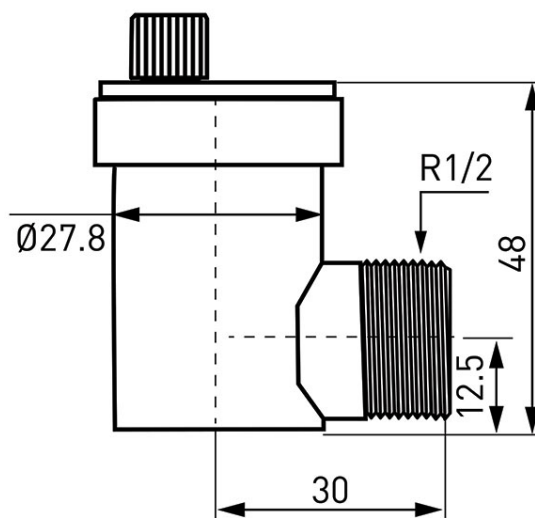


Code: O15ASB2

1/2" automatic side air vent

<https://www.ferrocompany.com/product-5509-O15ASB2.html>Individual packaging: **1, package with bar code allowing for retail sale**Collective packaging: **120**

- max. working temperature: 110°C
- max. working pressure: 1.0 MPa (10 bar)