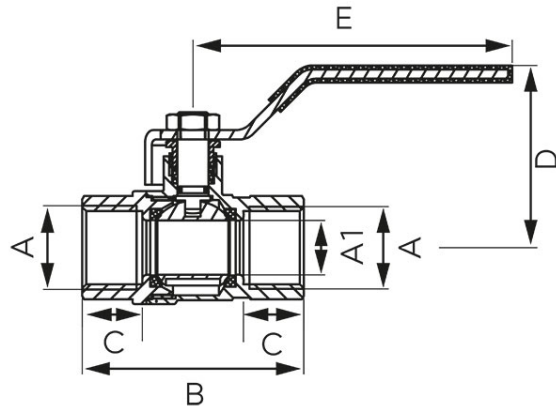


Code: **KGSx**

Gas ball valve - type G18

<https://www.ferrocompany.com/product-5496-KGSx.html>



- female - female
- with gland
- handle: metal lever
- body and ball material: high quality brass CW617N
- ball sealing: PTFE
- stem sealing: PTFE and O-ring with NBR70
- max. working pressure: MOP5 (0.5 MPa)
- working temperature: T2 (-20°C to 60°C)

Code	Size of connectors	DN	A	A1 [mm]	B [mm]	C [mm]	D [mm]	E [mm]	Individ. pack.	Collect. pack.
KGS1	1/2"	15	Rp 1/2	14	57	15,7	46,8	82	14	126
KGS2	3/4"	20	Rp 3/4	19	64	17,3	48,5	104	9	81
KGS3	1"	25	Rp 1	24	77,5	20,5	55,3	104	9	54