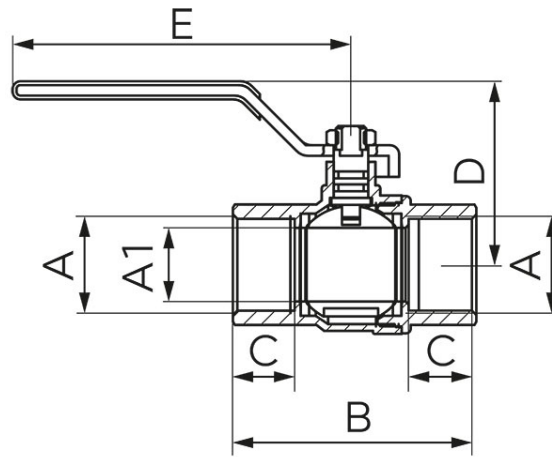


Code: **KGNx**

Gas ball valve - type G61

<https://www.ferrocompany.com/product-5495-KGNx.html>



- female - female
- handle: metal lever
- body and ball material: high quality brass CW617N
- ball sealing: PTFE
- stem seal: double O-ring with NBR70
- max. working pressure: MOP5 (0.5 MPa)
- working temperature: T2 (-20°C to 60°C)

Code	Size of connectors	DN	A	A1 [mm]	B [mm]	C [mm]	D [mm]	E [mm]	Individ. pack.	Collect. pack.
KGN1	1/2"	15	Rp 1/2	15	57,7	16	43	89	12	108
KGN2	3/4"	20	Rp 3/4	20	67	17	47	89	9	81
KGN3	1"	25	Rp 1	25	80,8	20,5	61	112,3	4	36
KGN4	1 1/4"	32	Rp 1 1/4	30,5	95,5	23	72,3	131,3	2	18
KGN5	1 1/2"	40	Rp 1 1/2	38,5	105,5	23	78,4	131,3	2	18
KGN6	2"	50	Rp 2	47,5	126	27,5	89,5	159,5	2	12