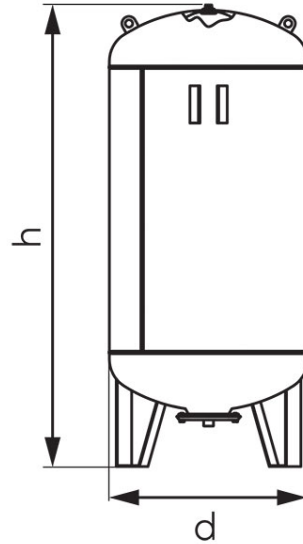


Code: SO

Vessels for solar installations – standing

<https://www.ferrocompany.com/product-5458-SO.html>Individual packaging: **1, package with bar code allowing for retail sale**

Collective packaginig: -



- warranty: 2 years
- max. working pressure: 10 bar
- precharge pressure: 2.5 bar
- working temperature: from -10°C to +140°C
- membrane (replaceable): EPDM HT
- colour: RAL 9010
- media valves: glycol 50%

Code	Model	h [mm]	d [mm]	Connection	Volume [l]	Individ. pack.	Collect. pack.
SO200S	SV200	1085	600	1"	200	1	-
SO300S	SV300	1212	650	1"	300	1	-