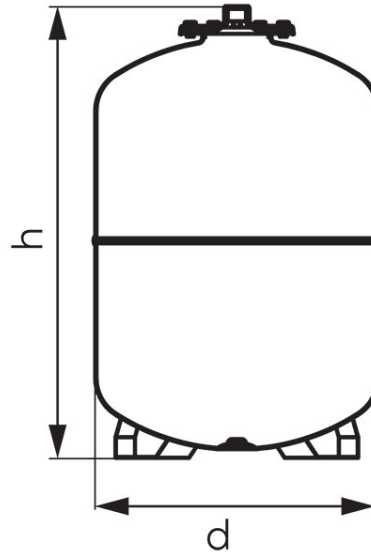


Code: CO

Vessels for heating system – standing

<https://www.ferrocompany.com/product-5457-CO.html>Individual packaging: **1, package with bar code allowing for retail sale**

Collective packaging: -



- warranty: 2 years
- max. working pressure: 8 bar
- precharge pressure: 1.5 bar
- working temperature: from -10°C to +100°C
- membrane (replaceable): EPDM
- colour: RAL 3000

Code	Model	h [mm]	d [mm]	Connection	Volume [l]	Individ. pack.	Collect. pack.
CO35S	RV35	450	365	3/4"	35	1	-
CO50S	RV50	582	365	3/4"	50	1	-
CO60S	RV60	668	365	3/4"	60	1	-
CO80S	RV80	717	415	1"	80	1	-
CO100S	RV100	663	495	1"	100	1	-
CO150S	RV150	795	550	1"	150	1	-