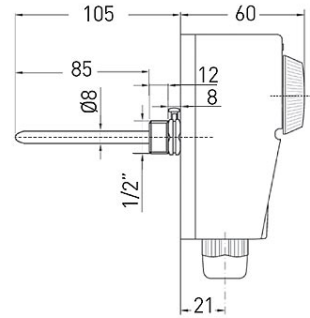
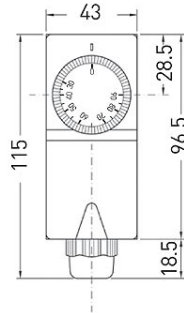


**Code: 91934020**

Immersion thermostat

<https://www.ferrocompany.com/product-5449-91934020.html>

- Temperature setting range: 30°C ÷ 90°C (± 3°C)
- Differential: 4 ± 2°C
- Protection class: IP40
- Isolation class: II
- Thermal gradient: < 1 K/min
- Maximum head temperature: 80°C
- Maximum capillary temperature: 110°C
- Maximum sheath pressure: 10 bar
- Contacts: Ag 1000/1000
- Contact outputs: 16A (5A) 250V AC
- Circuit breaker or switching contacts: SPDT type
- Action type: 1B
- Core hitch: M20x1,5
- Connecting thread: G1/2
- Length of the capillary: 85 mm
- Place of installation: in the tanks