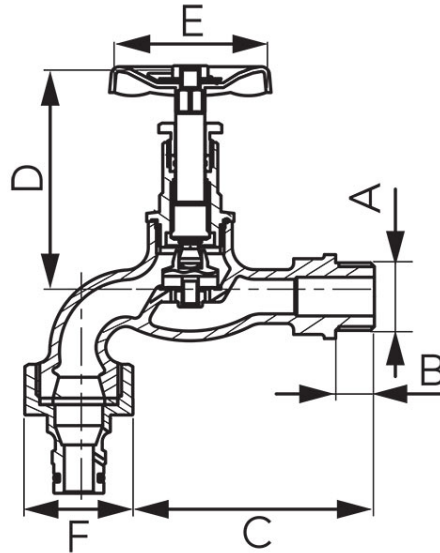


Code: **ZGC**

Poppet type cast iron bibcock

<https://www.ferrocompany.com/product-5356-ZGC.html>

- media valves:
 - water
- male
- with quick coupler hose connection tip, gland and reliable stem seal
- handle: steel knob
- body: cast iron
- stem and plug seal: EPDM
- nominal pressure: 1.0 MPa (10 bar)
- max. working temperature: 90°C

| Index | A | B [mm] | C [mm] | D [mm] | Ø E [mm] | F | Individ. pack. | Bulk pack. | R* |
|-------|------|--------|--------|--------|----------|------|----------------|------------|--------|
| ZGC01 | G1/2 | 12 | 91,5 | 72 | 50 | G3/4 | 10 | 30 | ZGC01W |
| ZGC02 | G3/4 | 14 | 114 | 94 | 54,5 | G1 | 6 | 18 | - |

***R - Product in individual packaging with EAN code enabling retail sale.**