

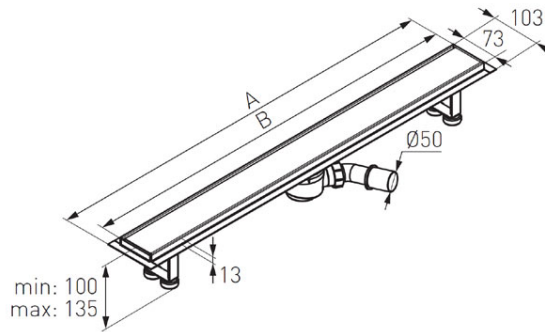
**Code: OLP1**

Linear shower drain channel for building in under floor tiles

<https://www.ferrocompany.com/product-5350-OLP1.html>

Individual packaging: **1, package with bar code allowing for retail sale**

Collective packaginig: -



- 5 years warranty
- capacity: 54 l/min
- adjustable legs
- waterproof collar
- stainless steel 1,2 mm
- manually polished
- dilatation

Index	A [mm]	B [mm]
OLP1-70	730	700
OLP1-80	830	800