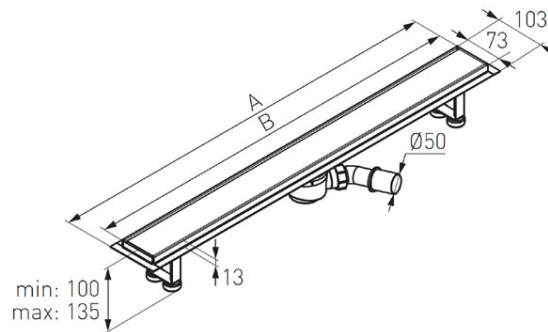


Code: OL

Linear shower drain channel

<https://www.ferrocompany.com/product-5347-OL.html>Individual packaging: **1, package with bar code allowing for retail sale**

Collective packaginig: -



- 5 years warranty
- capacity: 54 l/min
- adjustable legs
- waterproof collar
- 1,2 mm stainless steel
- manually polished
- dilatation

Index	A [mm]	B [mm]
OL70	730	700
OL80	830	800