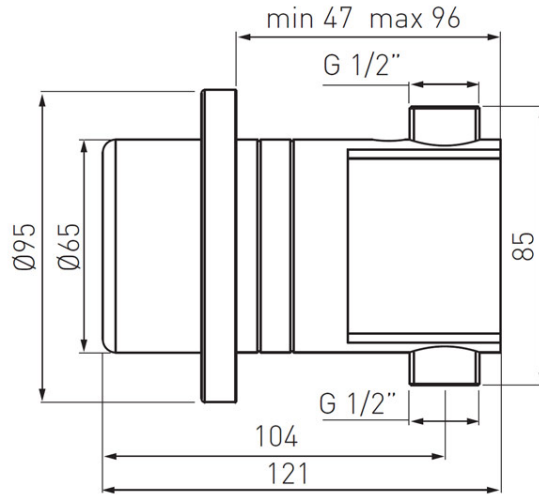


Code: BBB301

Kona Sensor - touch electronic concealed shower valve

<https://www.ferrocompany.com/product-4609-BBB301.html>

- power supply: 9V battery
- main connection: 2 x 1/2" M (inlet and outlet)
- permissible working pressure: 0,5 bar - 8,0 bar (7-116 PSI)
- factory set flow time: 120 seconds
- flow time: adjustable within 5 - 2600 seconds
- permissible water temperature: 70°C
- finish: chrome