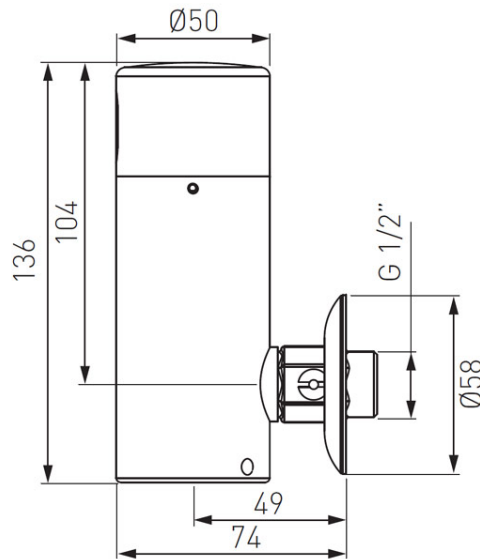


Code: BBB211

Zephyr Sensor - electronic urinal valve

<https://www.ferrocompany.com/product-4608-BBB211.html>

- power supply: 9V battery
- main connection: 1 x 1/2" M
- permissible working pressure: 1,0 bar - 8,0 bar (14,5-116 PSI)
- automatic flushing: 1 x 24 h
- factory set detection range: 600 mm
- sensor range: adjustable within 80 - 300 mm range
- factory set flush time: 6 seconds
- factory set flow volume: ~1,0 lpf (at 1 bar dynamic pressure)
- finish: chrome
- settings setup: with RC01 remote control