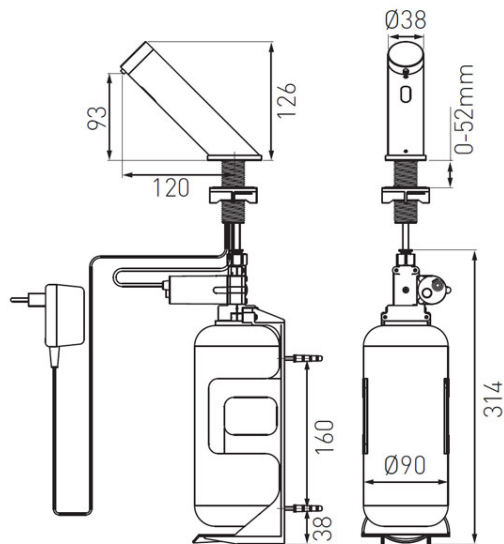


**Code: BBB112****Mistral Sensor - electronic soap dispenser**<https://www.ferrocompany.com/product-4603-BBB112.html>

- power supply: 230V/12V transformer
- soap tank: 1 litre volume
- soap dosage: 1,4 cc / dose (different settings available)
- permissible soap viscosity: 100 - 3800 cPs
- sensor range: adjustable within 30-100 mm range
- finish: chrome
- settings setup: with RC02 remote control with RC01 remote control (detection range)