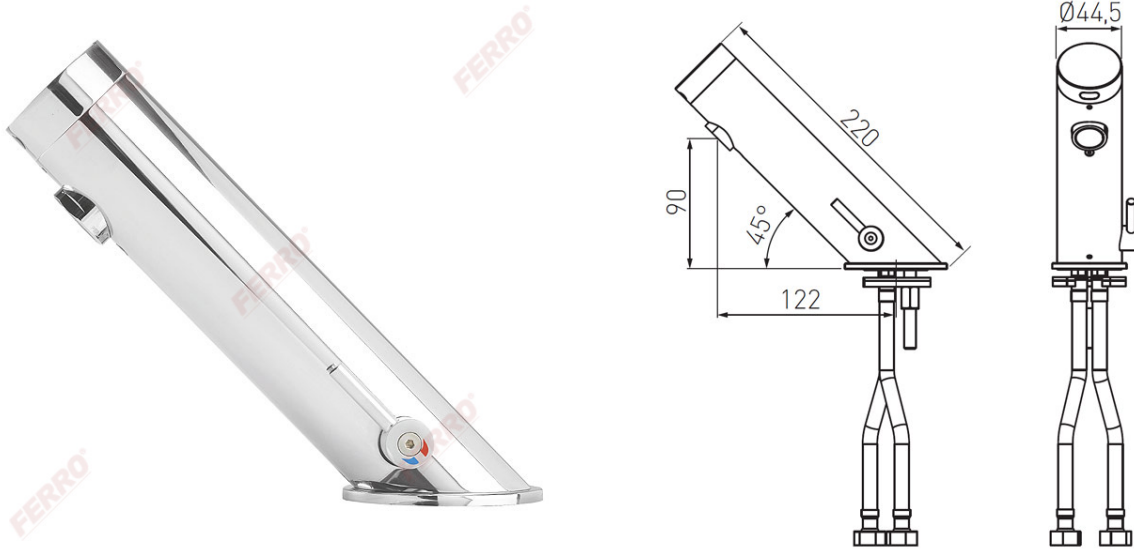


**Code: BBB111**

Mistral Sensor - electronic washbasin faucet with built-in mixing valve

<https://www.ferrocompany.com/product-4602-BBB111.html>



- power supply: 9V battery
- flexible connection hoses: 3/8" M (2 pcs) L=45 cm
- permissible working pressure: 0,5 bar - 8,0 bar (7-116 PSI)
- water flow: ~5,0 l/min (at 3 bar dynamic pressure)
- flow regulator: M24x1 with adjustable flow direction
- factory set detection range: 180 mm
- sensor range: adjustable within 50-160 mm range
- security time against continuous flushing: 90 seconds
- permissible water temperature: 70°C
- finish: chrome
- settings setup: with RC01 remote control