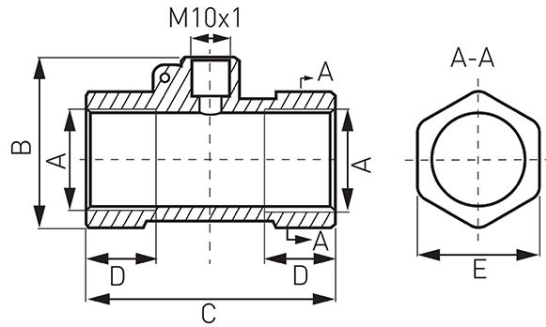


Code: **SGT**

Tee for assembling temperature sensor

<https://www.ferrocompany.com/product-4559-SGT.html>

- max. working temperature: 95°C
- max. working pressure: 1.0 MPa (10 bar)

Code	Size of connectors	A	B [mm]	C [mm]	D [mm]	E [mm]	Individ. pack.	Collect. pack.	R*
SGT1	1/2" x M10x1	G1/2	44,1	56,0	14,5	24,9	20	240	SGT1W
SGT2	3/4" x M10x1	G3/4	43,8	64,0	18,0	31,5	15	180	SGT2W

***R - package with bar code allowing for retail sale**