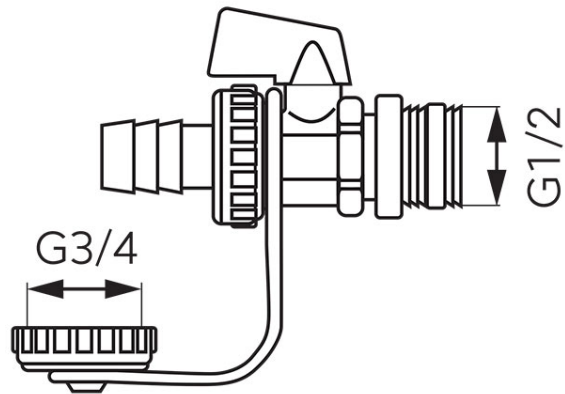


Code: ZSU1S

1/2" drain ball valve for solar installations

<https://www.ferrocompany.com/product-4533-ZSU1S.html>Individual packaging: **1, package with bar code allowing for retail sale**

Collective packaginig: -



- male
- hose coupling and cap included
- handle: butterfly
- body and ball material: brass
- ball and stem sealing: PTFE
- nominal pressure: 1.6 MPa (16 bar)
- max. working temperature: 150°C