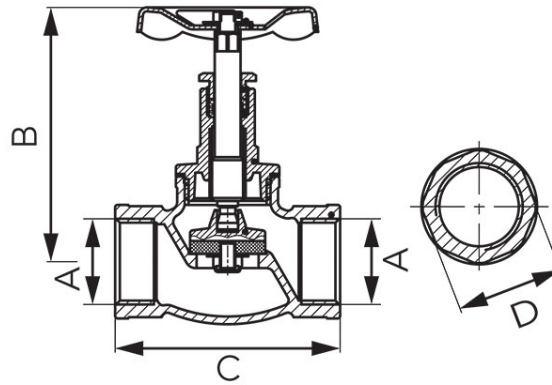


Code: **ZGZ**

Poppet type cast iron valve

<https://www.ferrocompany.com/product-4523-ZGZ.html>

- media valves:
  - water
- female - female
- with a gland and reliable stem seal
- handle: steel knob
- body: cast iron
- stem and poppet seal: EPDM
- nominal pressure: 1.0 MPa (10 bar)
- max. working temperature: 95°C

Index	DN	A	B [mm]	C [mm]	D [mm]	Individ. pack.	Bulk pack.	R*
ZGZ01	15	G1/2	86	62	26,5	12	144	ZGZ01W
ZGZ02	20	G3/4	93	72	31,5	6	120	ZGZ02W
ZGZ03	25	G1	98,5	87	41	6	72	ZGZ03W
ZGZ04	32	G1 1/4	115	101	50,5	8	48	-
ZGZ05	40	G1 1/2	132,5	117	58	4	32	-
ZGZ06	50	G2	141	140	70,5	2	18	-

**\*R - Product in individual packaging with EAN code enabling retail sale.**