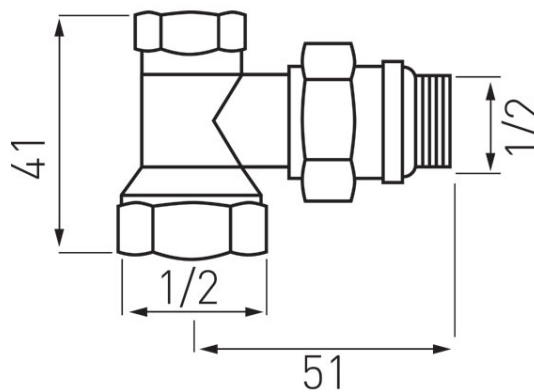


**Code: ZPI5Y**

Radiator cut-off angle valve 1/2" x 1/2"

<https://www.ferrocompany.com/product-4497-ZPI5Y.html>Individual packaging: **10**Collective packaging: **120**

- connection with additional O-ring
- water, 50% glycol concentration
- nominal pressure: 1.0 MPa (10 bar)
- max. working temperature: 100°C