

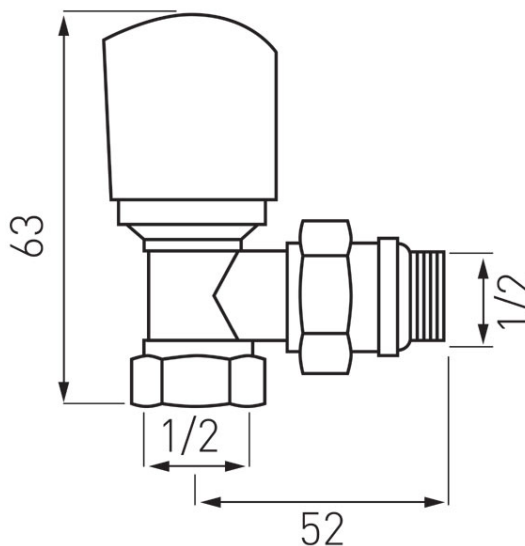
**Code: ZTI5Y**

Thermostatic angle valve 1/2" x 1/2"

<https://www.ferrocompany.com/product-4493-ZTI5Y.html>

Individual packaging: -

Collective packaginig: -



- connection thread for head: M30 x 1.5
- max. permissible static pressure: 1 MPa
- max. permissible pressure difference: 0.1 MPa
- max. working temperature: 100°C
- connection with additional O-ring sealing
- the valve with 2-in-1 function: valve equipped with ergonomic knob for manual adjustment. After removing the knob, the thermostatic head can be mounted with a typical M30 x 1.5 thread
- water, 50% glycol concentration

Code	Individ. pack.	Collect. pack.	R*
ZTI5Y	10	60	ZTI5YW

**\*R - Product in individual packaging with EAN code enabling retail sale.**