

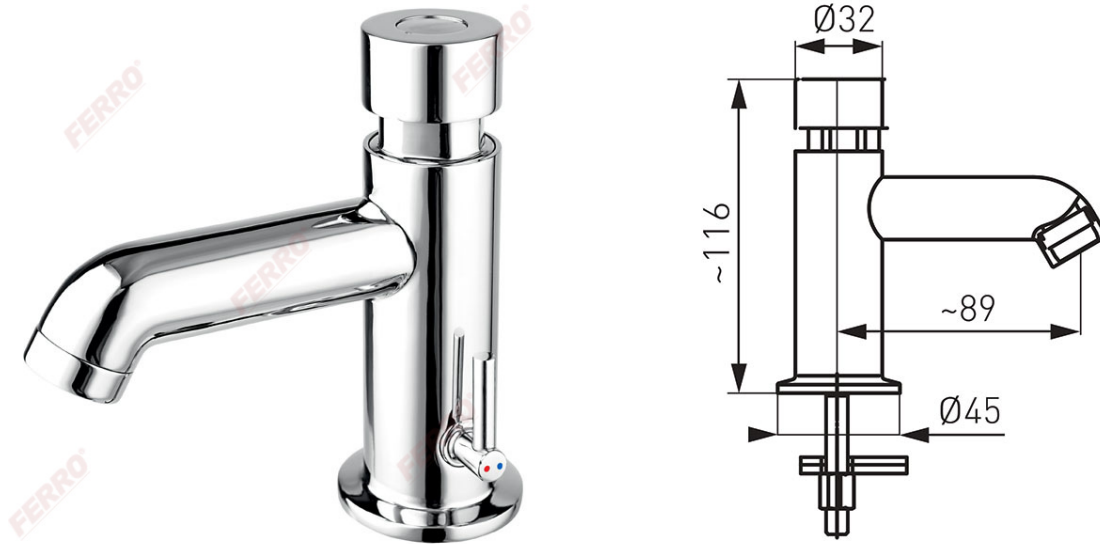
Code: Z201R

Presstige II automatic shut-off washbasin mixer with flow and temperature controllers

<https://www.ferrocompany.com/product-4461-Z201R.html>

Individual packaging: **1, package with bar code allowing for retail sale**

Collective packaging: **24**



- Factory setting of outflow time: ~ 15 sec. (for the dynamic pressure of 3 bar)
- Outflow time: adjustable in the scope of 10 - 20 sec. (for the dynamic pressure of 3 bar)
- Water flow: ~ 7 l/min. (for the dynamic pressure of 3 bar)
- Maximum water temperature: max 90°C.
- Recommended water temperature: <65°C
- Recommended dynamic pressure: 0.1-0.5 MPa (1 - 5 bar)
- Permissible static pressure: 1 MPa (10 bar / 145 PSI)
- Flexible connection: 3/8" M (2 pcs.)
- Finish: chrom