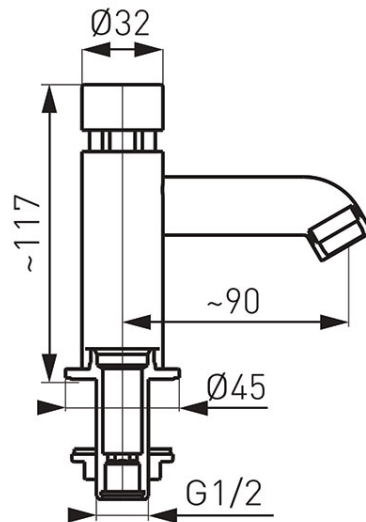


Code: Z201

Presstige automatic shut-off washbasin mixer with flow controller

<https://www.ferrocompany.com/product-4460-Z201.html>Individual packaging: **1, package with bar code allowing for retail sale**Collective packaging: **24**

- Factory setting of outflow time: ~ 15 sec. (for the dynamic pressure of 3 bar)
- outflow time: adjustable in the scope of 10 - 20 sec. (for the dynamic pressure of 3 bar)
- Water flow: ~ 7 l/min.(for the dynamic pressure of 3 bar)
- Maximum water temperature: max 90°C .
- Recommended water temperature: $<65^{\circ}\text{C}$
- Recommended dynamic pressure: 0.1-0.5 MPa (1 - 5 bar)
- Permissible static pressure: 1 MPa (10 bar / 145 PSI)
- Flexible connection: 1 x $1/2''$ M (2 pcs.)
- Finish: chrome
- Recommended mixers:
 - MM10 - $3/8''$ mechanical mixer
 - MT15B - $1/2''$ thermostatic mixer