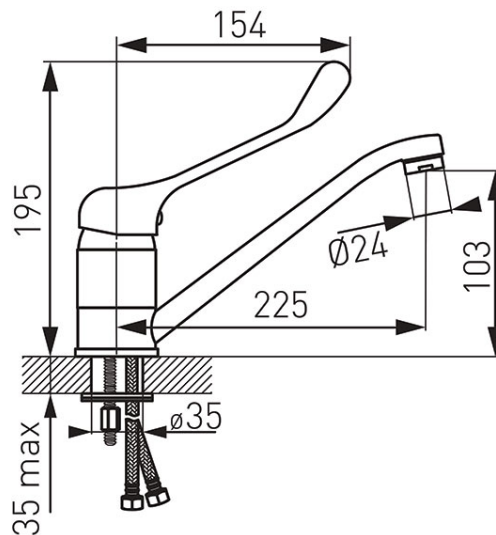


Code: BVAM4

Vasto Medico - Standing sink mixer

<https://www.ferrocompany.com/product-4437-BVAM4.html>Individual packaging: **1, package with bar code allowing for retail sale**

- special handle
- ceramic cartridge
- single hole mounted
- flow regulator M24x1
- swivel spout
- flexible connectors G 3/8 - M10x1
- chrome finishing