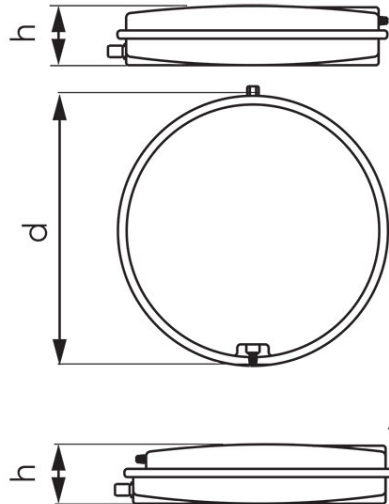


Code: CO

Flat vessels for heating systems

<https://www.ferrocompany.com/product-4433-CO.html>Individual packaging: **1, package with bar code allowing for retail sale**

Collective packaging: -



*) CO12PL5, CO10PL7, CO18PL

- warranty: 2 years
- max. working pressure: 3 bar
- precharge pressure: 1.5 bar
- working temperature: from -10°C to + 90°C
- membrane: SBR
- colour: galvanized steel

| Code | Model | h [mm] | d [mm] | Connection | Volume [l] | Individ. pack. | Collect. pack. |
|---------|-----------|--------|--------|------------|------------|----------------|----------------|
| CO6PL7 | VCP387-6 | 60 | 387 | 3/8" | 6 | 1 | - |
| CO8PL7 | VCP387-8 | 85 | 387 | 3/8" | 8 | 1 | - |
| CO10PL7 | VCP387-10 | 100 | 387 | 3/4" | 10 | 1 | - |
| CO12PL7 | VCP387-12 | 120 | 387 | 3/4" | 12 | 1 | - |
| CO18PL7 | VCP387-18 | 180 | 387 | 3/4" | 18 | 1 | - |