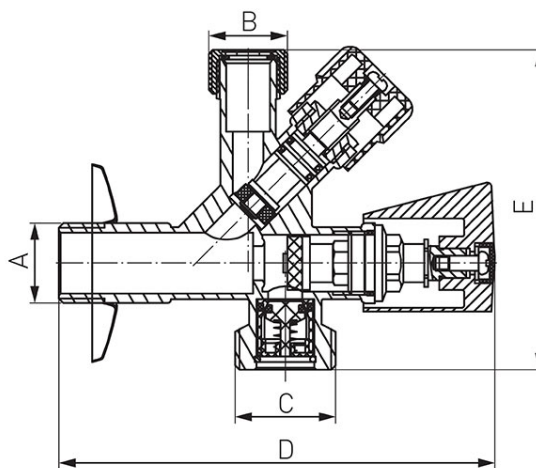


**Code: CF510x**

Double poppet valve with rosette

<https://www.ferrocompany.com/product-4432-CF510x.html>Individual packaging: **1, package with bar code allowing for retail sale**Collective packaging: **24**

- Utility Valves:
  - water
- for connecting mixers and washing machine or dishwasher
- check valve built into the 3/4" connection
- nominal pressure: 1.0 MPa (10 bar)
- max. working temperature: 100°C

Index	Size of connectors	A	B	C	D [mm]	E [mm]	Individ. pack.	Bulk pack.
CF5104	3/8"x1/2"x3/4" with coupling for copper pipe Ø10 mm	G1/2	G3/8	G3/4	114	84	1	24
CF5105	1/2"x1/2"x3/4"	G1/2	G1/2	G3/4	114	84	1	24